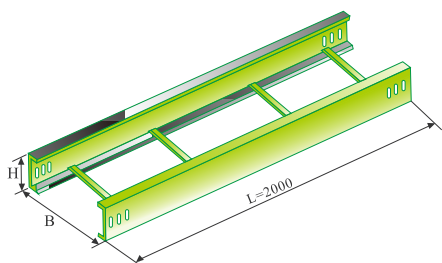


XQJ梯级式电缆桥架 XQJ Ladder-type Support

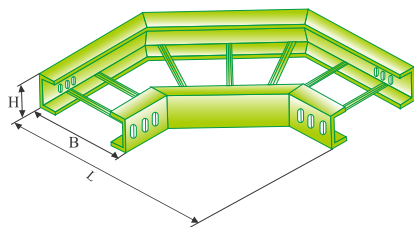
梯级式桥架是根据国外有关技术及我厂产品的特点改进而成，它具有重量轻、成本低、造型别致、通风散热性能好等特点。它适用于一般直径较大的电缆敷设，特别适合于高、低压动力电缆的敷设。

Ladder-type cable support systems are products manufactured at this factory by referring to relevant technical data of other countries and maintaining the characteristics of the original products of this factory, it features small weight, low cost, unique shaping, fine permeability and quite heat dissipation. It is applicable for laying of big-diameter cables. Especially high-voltage, low-voltage and power cables.

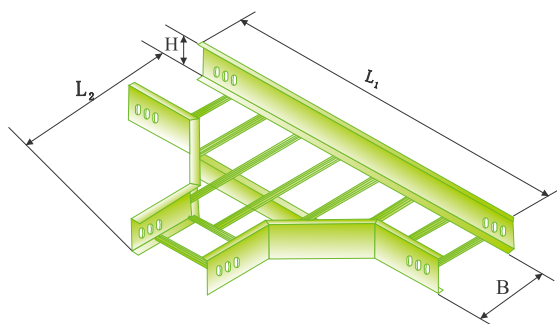
XQJ-T-01梯级直通
XQJ-T-01 Ladder-type straight Cable support



XQJ-T-02水平弯通
XQJ-T-02 Ladder-type horizontal bend



XQJ-T-03水平三通
XQJ-T-03 Ladder-type horizontal Tee



序号 NO.	型号 Model	b(mm)	H(mm)	重量 Weight
1	T-01-6-2	200	60	10.66
2	T-01-10-2		100	17.76
3	T-01-15-2		150	23.95
4	T-01-6-3		60	13.35
5	T-01-10-3	300	100	20.06
6	T-01-15-3		150	25.23
7	T-01-6-4		60	19.10
8	T-01-10-4	400	100	25.56
9	T-01-15-4		150	31.95
10	T-01-20-4		200	35.34
11	T-01-6-5		60	20.65
12	T-01-10-5	500	100	27.21
13	T-01-15-5		150	33.31
14	T-01-20-5		200	41.55
15	T-01-6-6	600	60	22.24
16	T-01-10-6		100	28.21
17	T-01-15-6		150	35.15
18	T-01-20-6		200	43.16
19	T-01-6-8	800	60	31.11
20	T-01-10-8		100	38.69
21	T-01-15-8		150	46.05
22	T-01-20-8		200	53.56

说明：高度h=60, 100为单排连接孔，高h=150为双排连接孔
Description:h=60,single-row connection holes:h=150,double-row connection holes

序号 NO.	型号 Model	b(mm)	H(mm)	L(mm)	重量 kg Weight
1	T-02-6-2	200	60	500 L(mm)	4.98
2	T-02-10-2		100		6.10
3	T-02-15-2		150		10.56
4	T-02-6-3	300	60	600	6.15
5	T-02-10-3		100		7.46
6	T-02-15-3		150		12.65
7	T-02-6-4	400	60	700	10.66
8	T-02-10-4		100		12.35
9	T-02-15-4		150		15.91
10	T-02-20-4		200		21.30
11	T-02-6-5	500	60	800	12.68
12	T-02-10-5		100		13.46
13	T-02-15-5		150		18.31
14	T-02-20-5	600	200	900	24.87
15	T-02-6-6		60		14.68
16	T-02-10-6		100		16.77
17	T-02-15-6		150		20.70
18	T-02-20-6	800	200	1000	27.53
19	T-02-6-8		60		18.96
20	T-02-10-8		100		21.13
21	T-02-15-8		150		26.34
22	T-02-20-8	200	34.87		

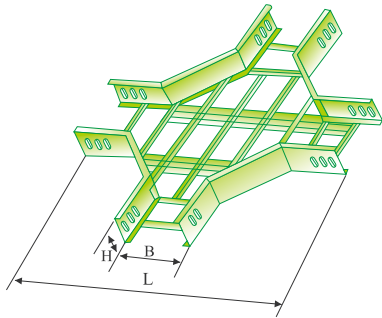
说明：高度h=60, 100为单排连接孔，高h=150为双排连接孔
Description:h=60,single-row connection holes:h=150,double-row connection holes

序号 NO.	型号 Model	b(mm)	H(mm)	L ₁ (mm)	L ₂ (mm)	重量 Weight
1	T-03-6-2	200	60	800	500	7.26
2	T-03-10-2		100			9.02
3	T-03-15-2		150			16.28
4	T-03-6-3	300	60	900	600	9.24
5	T-03-10-3		100			10.45
6	T-03-15-3		150			17.92
7	T-03-6-4	400	60	1000	700	14.85
8	T-03-10-4		100			16.02
9	T-03-15-4		150			21.73
10	T-03-20-4		200			29.05
11	T-03-6-5	500	60	1100	800	17.09
12	T-03-10-5		100			19.08
13	T-03-15-5		150			24.48
14	T-03-20-5	600	200	1200	900	32.76
15	T-03-6-6		60			19.23
16	T-03-10-6		100			21.86
17	T-03-15-6		150			27.23
18	T-03-20-6	800	200	1300	1000	36.60
19	T-03-6-8		60			22.44
20	T-03-10-8		100			25.77
21	T-03-15-8		150			32.71
22	T-03-20-8	200	42.08			

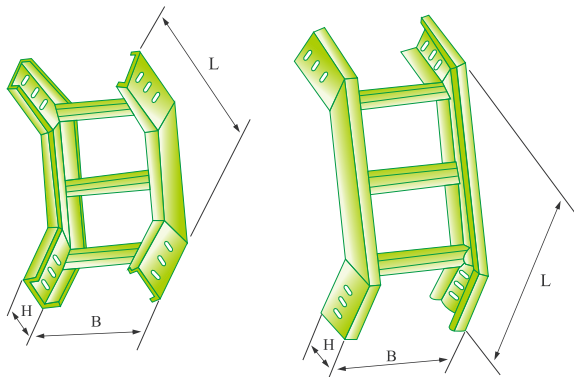
说明：高度h=60, 100为单排连接孔，高h=150为双排连接孔
Description:h=60,single-row connection holes:h=150,double-row connection holes

XQJ梯级式电缆桥架 XQJ Ladder-type Support

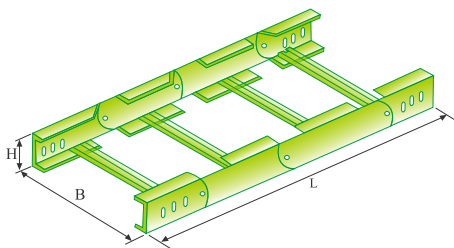
XQJ-T-04水平四通
XQJ-T-04 Ladder-type horizontal Cross



XQJ-T-05A垂直凹弯通 XQJ-T-05B垂直凸弯通
XQJ-T-05A Ladder-type straight convex bend XQJ-T-05B Ladder-type straight concave bend



XQJ-T1-05C型垂直转动弯通
XQJ-T1-05C Vertical rotatable bend



序号 NO.	型号 Model	b(mm)	H(mm)	L(mm)	重量 Weight
1	T-01-6-2	200	60	800	9.52
2	T-01-10-2		100		11.43
3	T-01-15-2		150		20.20
4	T-01-6-3	300	60	900	15.52
5	T-01-10-3		100		16.05
6	T-01-15-3		150		21.80
7	T-01-6-4	400	60	1000	21.73
8	T-01-10-4		100		23.96
9	T-01-15-4		150		27.42
10	T-01-20-4	500	200	1200	37.04
11	T-01-6-5		60		24.55
12	T-01-10-5		100		26.83
13	T-01-15-5	600	150	1300	30.96
14	T-01-20-5		200		38.65
15	T-01-6-6		60		28.09
16	T-01-10-6	800	100	1200	30.36
17	T-01-15-6		150		34.50
18	T-01-20-6		200		42.50
19	T-01-6-8	1400	60	1400	35.16
20	T-01-10-8		100		37.43
21	T-01-15-8		150		41.53
22	T-01-20-8	200	1600	49.86	

说明: 高度h=60, 100为单排连接孔, 高h=150为双排连接孔
Description:h=60,single-row connection holes;h=150,double-row connection holes

序号 NO.	型号 Model	b(mm)	H(mm)	L(mm)	重量 Weight
1	T-05A、B-6-2	200	60	360	3.60
2	T-05A、B-10-2		100		4.71
3	T-05A、B-15-2		150		9.24
4	T-05A、B-6-3	300	60	400	4.38
5	T-05A、B-10-3		100		5.29
6	T-05A、B-15-3		150		10.30
7	T-05A、B-6-4	400	60	360	6.81
8	T-05A、B-10-4		100		8.15
9	T-05A、B-15-4		150		12.39
10	T-05A、B-20-4	500	200	700	23.67
11	T-05A、B-6-5		60		8.20
12	T-05A、B-10-5		100		9.98
13	T-05A、B-15-5	600	150	550	13.25
14	T-05A、B-20-5		200		24.21
15	T-05A、B-6-6		60		8.68
16	T-05A、B-10-6	800	100	400	10.02
17	T-05A、B-15-6		150		14.26
18	T-05A、B-20-6		200		25.73
19	T-05A、B-6-8	1400	60	360	10.54
20	T-05A、B-10-8		100		12.87
21	T-05A、B-15-8		150		16.11
22	T-05A、B-20-8	200	700	27.88	

说明: 高度h=60, 100为单排连接孔, 高h=150为双排连接孔
Description:h=60,single-row connection holes;h=150,double-row connection holes

序号 NO.	型号 Model	b(mm)	H(mm)	L(mm)	重量 Weight
1	T1-05C-6-2	200	60	780	5.12
2	T1-05C-10-2		100		7.21
3	T1-05C-15-2		150		15.20
4	T1-05C-6-3	300	60	780	7.21
5	T1-05C-10-3		100		9.37
6	T1-05C-15-3		150		15.73
7	T1-05C-6-4	400	60	780	9.76
8	T1-05C-10-4		100		12.49
9	T1-05C-15-4		150		19.12
10	T1-05C-20-4	500	200	1200	30.72
11	T1-05C-6-5		60		10.75
12	T1-05C-10-5		100		13.35
13	T1-05C-15-5	600	150	1050	17.83
14	T1-05C-20-5		200		28.32
15	T1-05C-6-6		60		13.61
16	T1-05C-10-6	800	100	900	16.85
17	T1-05C-15-6		150		18.69
18	T1-05C-20-6		200		29.76
19	T1-05C-6-8	1400	60	780	14.52
20	T1-05C-10-8		100		17.46
21	T1-05C-15-8		150		24.09
22	T1-05C-20-8	200	1200	35.46	

说明: 高度h=60, 100为单排连接孔, 高h=150为双排连接孔
Description:h=60,single-row connection holes;h=150,double-row connection holes